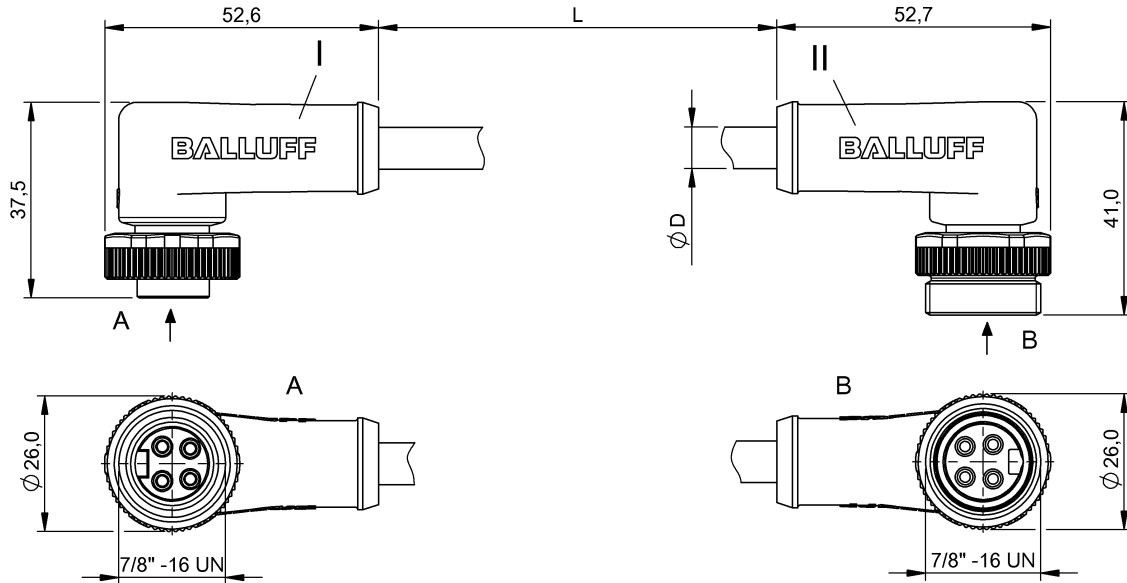


Double-Ended Cordsets
BCC A324-A324-30-304-PX04A5-100
Order Code: BCC06JP

BALLUFF



Basic features

| | |
|---------------------|---------------------|
| Approval/Conformity | CE cULus WEEE |
|---------------------|---------------------|

Electrical connection

| | |
|-------------------------------------|--|
| Bending radius min., fixed cable | 7.5 x D |
| Bending radius min., flexible cable | 10 x D |
| Cable | PUR black, 10 m, drag chain compatible |
| Cable diameter D | 8.00 mm ±0.20 mm |
| Cable, bending cycles min. | 5 mil. |
| Conductor cross-section | 1.5 mm ² |
| Connection 1 | 7/8"-Female, angled, 4-pin |
| Connection 2 | 7/8"-Male, angled, 4-pin |
| Number of conductors | 4 |
| System | Molded/Molded |

Electrical data

| | |
|--------------------------------------|---------------------|
| Operating voltage Ub | 300 VDC / 300 VAC |
| Operating voltage Ub 3-phase network | 277/480V AC +/- 15% |
| Rated current (40 °C) | 10.0 A |

Environmental conditions

| | |
|-------------------------------------|-----------------------|
| Cable temperature, fixed routing | -50...80 °C |
| Cable temperature, flexible routing | -20...80 °C |
| IP rating | IP67, IP68/IP67, IP68 |

Interface

| | |
|------------------|---------------|
| Switching output | Complementary |
|------------------|---------------|

Material

| | |
|--------------------------|-----------------------------|
| Cable jacket, material | PUR |
| Material contact carrier | PUR/PUR |
| Material contacts | Brass/Brass |
| Material cover nut | Die-cast zinc/Die-cast zinc |
| Material grip | PUR/PUR |

Mechanical data

| | |
|---|-----------------------|
| Acceleration max., drag chain | 5 m/s ² |
| Cable jacket, color | black |
| Cable length L | 10.00 m |
| Cable properties | drag chain compatible |
| Horizontal travel permitted, drag chain | 20 m |
| Tightening torque pigtail | 1.5 Nm/1.5 Nm |
| Traverse speed max., drag chain | 300 m/min |

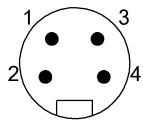
Double-Ended Cordsets
BCC A324-A324-30-304-PX04A5-100
Order Code: BCC06JP



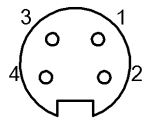
Remarks

Cable construction acc. to UL-AWM Style 20234
Halogen-free
Silicone-free
Flame-retarding
Enclosure rating per IEC 60529, only in screwed state with the associated mating piece.

Connector Drawings



II
PIN 1: brown
PIN 2: white
PIN 3: blue
PIN 4: black



I
PIN 1: brown
PIN 2: white
PIN 3: blue
PIN 4: black

Wiring Diagrams

